



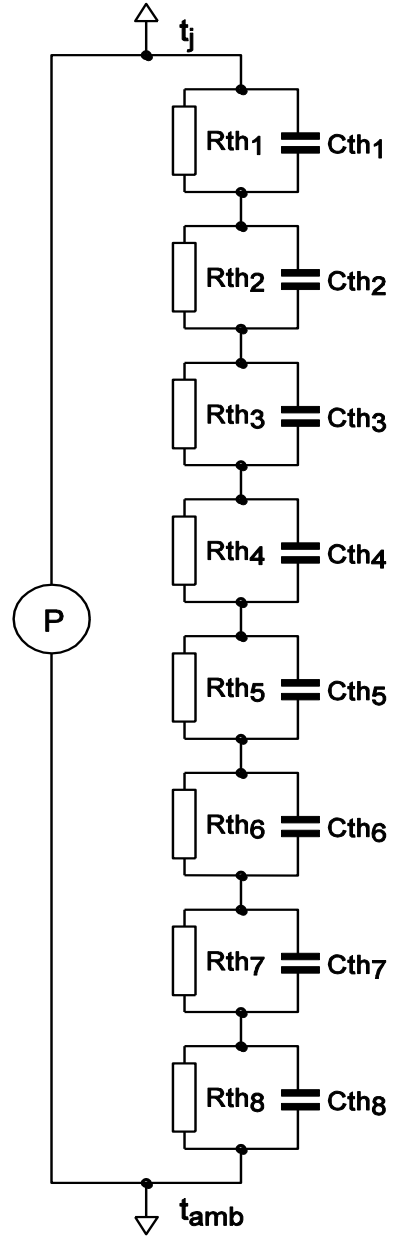
# Thermal RC network (Foster)

## SPICE thermal model

BUK9M35-80E

Symbol	Parameter	Conditions	Min	Typ	Max	Unit
$R_{th(j-mb)}$	thermal resistance from junction to mounting base		-	-	2.44	K/W

$C_{th1}$	2.010E-05 F
$C_{th2}$	1.708E-04 F
$C_{th3}$	1.888E-04 F
$C_{th4}$	7.066E-03 F
$C_{th5}$	1.019E-03 F
$C_{th6}$	9.129E-03 F
$C_{th7}$	9.134E-02 F
$C_{th8}$	2.243E+02 F
$R_{th1}$	4.007E-03 $\Omega$
$R_{th2}$	6.986E-03 $\Omega$
$R_{th3}$	4.049E-02 $\Omega$
$R_{th4}$	1.746E-02 $\Omega$
$R_{th5}$	1.084E+00 $\Omega$
$R_{th6}$	1.072E+00 $\Omega$
$R_{th7}$	2.058E-01 $\Omega$
$R_{th8}$	4.457E-03 $\Omega$



001aal768

Part: BUK9M35-80E  
 Date: 9/5/2016  
 Model Rth 2.44 K/W